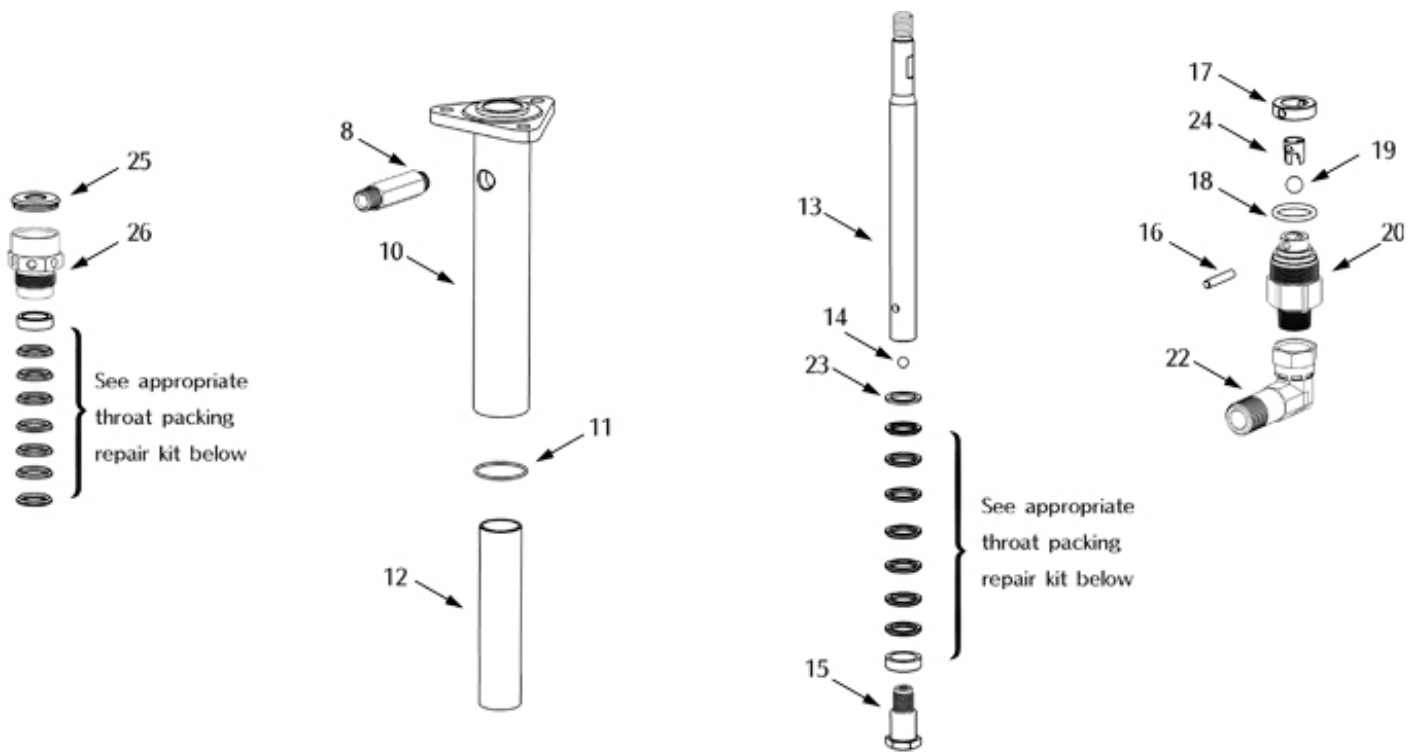
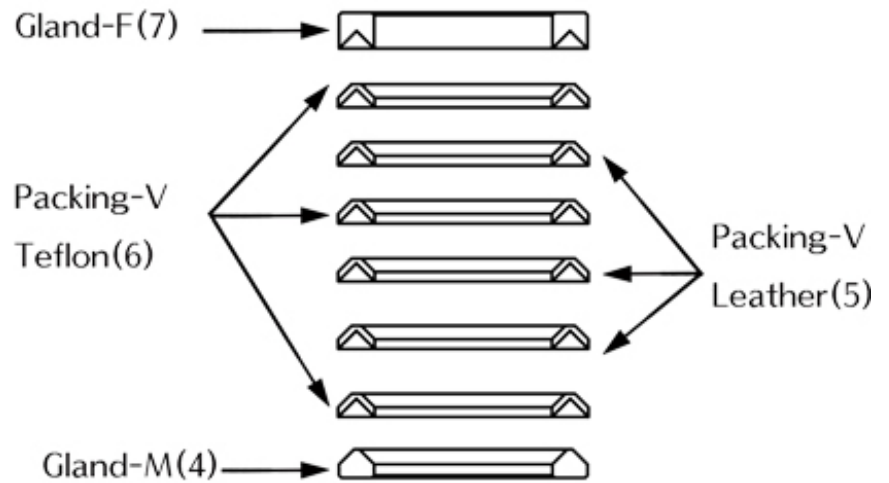
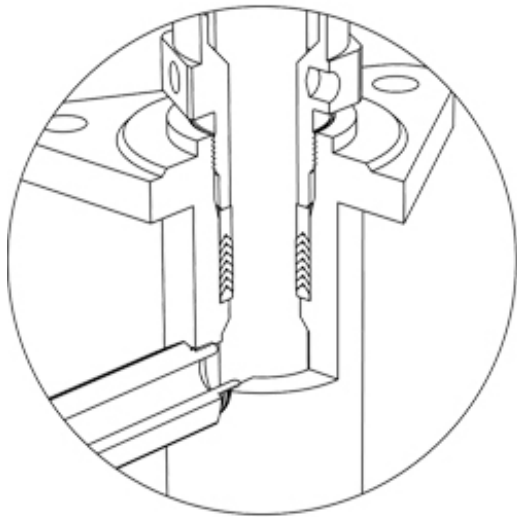


No.	Part No.	Description	Qty
1	30-101	NUT,cylindercap	1
2	30-102	O-RING	1
3	30-103	CYLINDER,motor	1
4	30-104	ACTUATOR, valve	1
5	30-105	YOKE	1
6	30-106	PIN, toggle	2
7	30-107	ARM, toggle	2
8	30-108	SPRING	2
9	30-109	ROCKER, toggle	2
10	30-110	POPPET, valve	2
11	30-111	TRIP ROD	1
12	30-112	NUT,adjusting	4
13	30-113	GROMMET,rubber	2
14	30-114	LOCKWIRE	2
15	30-115	POPPET, valve	2
16	30-116	STEM, valve	2

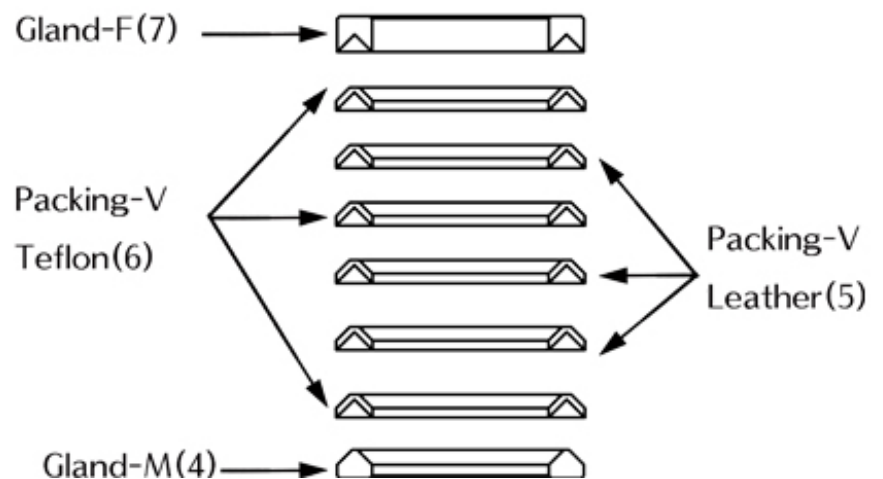
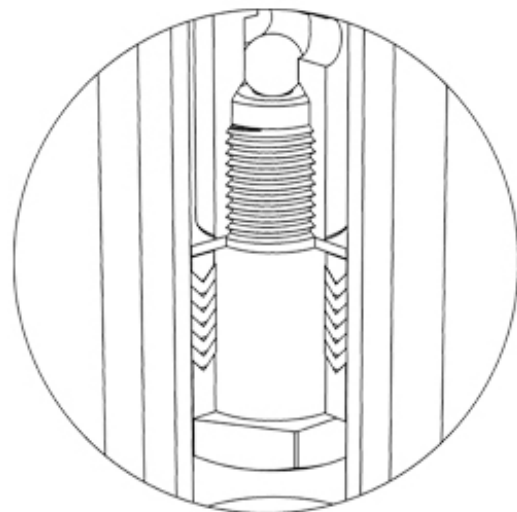
No.	Part No.	Description	Qty
17	30-117	SCREW	2
18	30-118	CLIP, spring	2
19	30-119	PISTON	1
20	30-120	O-RING,piston	1
21	30-121	GASKET,copper	1
22	30-122	ROD,piston	1
23	30-123	O-RING	1
24	30-124	SEAL	1
25	30-125	BASE	1
26	30-126	RIDENA	1
27	30-127	SANP RING	1
28	30-128	WASHER	8
29	30-129	SCREW	8
30	30-130	PLATE, muffmer	2
31	30-131	SCREW	20



THROAT PACKINGS



PISTON PACKINGS



No.	Part No.	Description	Qty
4	30-204	GLAND , female	2
5	30-205	V-PACKING(leather)	6
6	30-206	V-PACKING(Teflon))	6
7	30-207	GLAND , male	2
8	30-208	NIPPLE	1
10	30-210	PUMP HOUSING	1
11	30-211	SEAL(sleeve gasket)	1
12	30-212	SLEEVE	1
13	30-213	DIS. ROD	1
14	30-214	BALL(5/16 \diamond \diamond)	1
15	30-215	VALVE PISTON	1

No.	Part No.	Description	Qty
16	30-216	PIN	1
17	30-217	RETAINER	1
18	30-218	SEAL(TEFLON)	1
19	30-219	BALL(1/2 \diamond \diamond)	1
20	30-220	INTAKE	1
22	30-222	UNION	1
23	30-223	WASHER	1
24	30-224	GUIDE, BALL	1
25	30-225	PLUG	1
26	30-226	PACKING, NUT	1