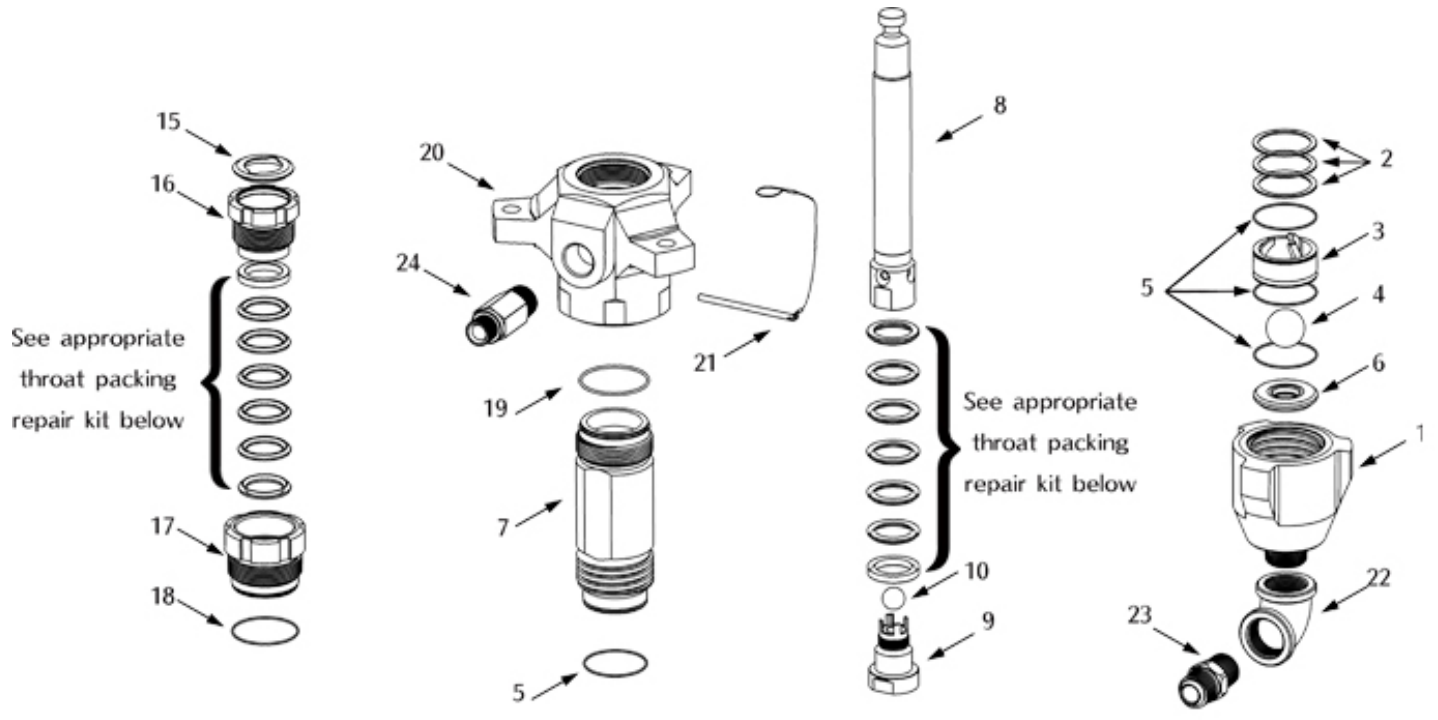
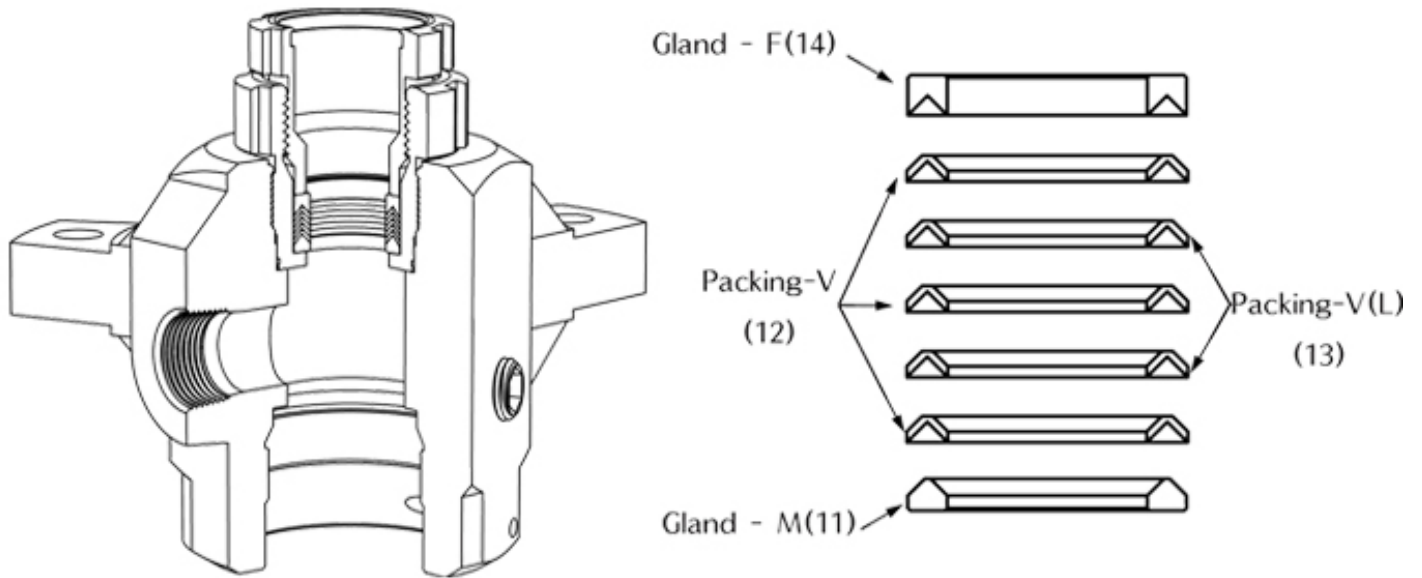


No.	Part No.	Description	Qty
1	K254-01	RING	1
2	K254-02	UNION, Adaptor	1
3	K254-03	SHIELD	1
4	K254-04	RETAINER	2
5	K254-05	SPRING, Compression	2
6	K254-06	GUIDE, spring	2
7	K254-07	PLUNGER, detent	2
8	K254-08	SCREW	4
9	K254-09	LOCK WASHER	4
10	K254-10	HOUSING, detent	1
11	K254-11	PAD rubber	2
12	K254-12	AXLE	2
13	K254-13	ROLLER	2
14	K254-14	SCREW	4
15	K254-15	LOCK WASHER	4
16	K254-16	MANIFOLD	2
17	K254-17	GASKET, manifold	2
18	K254-18	SCREW	8
19	K254-19	PLATE, Valve	2
20	K254-20	SEAL, plate	2
21	K254-21	GROMMET	1
22	K254-22	SEAL (O-RING)	2

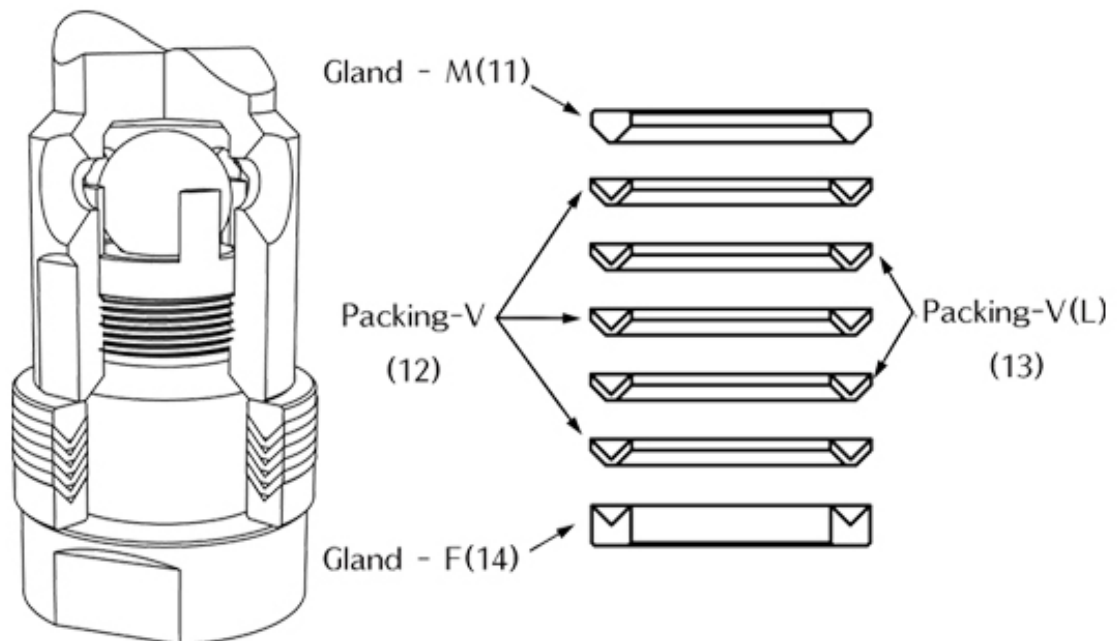
No.	Part No.	Description	Qty
23	K254-23	VALVE	2
24	K254-24	SPRING, Compression	2
25	K254-25	NUT, Trip rod	1
26	K254-26	LOCK WASHER	1
27	K254-27	Valve HOUSING	1
28	K254-28	HUB	1
29	K254-29	BEARING, Trip rod	1
30	K254-30	GASKET	1
31	K254-31	WASHER, Backup	1
32	K254-32	V-PACKING	1
33	K254-33	HEX SCREW	12
34	K254-34	WASHER	12
35	K254-35	CYLINDER, air motor	1
36	K254-36	SEAL(O-RING), piston	1
37	K254-37	PISTON	1
38	K254-38	PISTON PAN	1
39	K254-39	TRIP ROD ASS'Y	1
40	K254-40	STUD	1
41	K254-41	GASKET	1
42	K254-42	O-RING	1
43	K254-43	V-PACKING	1



THROAT PACKINGS



PISTON PACKINGS



No.	Part No.	Description	Qty
1	X681-01	HOUSING , Inlet	1
2	X681-02	SHIM	3
3	X681-03	BALL GUIDE	1
4	X681-04	BALL(1-1/4)	1
5	X681-05	PACKING ,O-RING	4
6	X681-06	SEAT	1
7	X681-07	CYLINDER	1
8	X681-08	DISPLACEMENT ROD	1
9	X681-09	PISTON VALVE	1
10	X681-10	BALL(3/4)	1
11	X681-11	GLAND-M	2
12	X681-12	PACKING-V(PE)	6

No.	Part No.	Description	Qty
13	X681-13	PCAKING-V(L)	4
14	X681-14	GLAND-F	2
15	X681-15	PLUG, THROAT SEAL	1
16	X681-16	PACKING NUT	1
17	X681-17	CARTRIDGE	1
18	X681-18	PACKING, O-RING	1
19	X681-19	PACKING, O-RING	1
20	X681-20	HOUSING	1
21	KS-X021	PIN, SELF LOCKING	1
22	KS-X026	TUBE	1
23	KS-X027	NIPPLE(PT1XPF1)	1
24	KS-X028	NIPPLE(PT1XPF3/4)	1